

SATATYA MIDR30FL28CWP

3MP IR Dome Camera with 2.8mm Lens



SATATYA MIDR30FL28CWP

3MP IR Dome Camera with 2.8mm Lens

Matrix Professional Series Dome IP Cameras are built using superior components such as Sony STARVIS sensor and higher MTF lens to offer unmatched image quality especially during the low light conditions. Powered by True WDR algorithm, these cameras offer consistent image quality even in highly varying lighting conditions. Built in intelligent analytics including Intrusion Detection, Trip Wire, etc. ensure real-time security. Moreover, H.265 compression and Automatic Motion based Frame Rate Reduction save bandwidth and storage up to 50%.

USP



SONY STARVIS
SENSOR



H.265



IVA



HIGHER FIELD
OF VIEW



SMART
STREAMING



ADAPTIVE
STREAMING



TRUE WDR



NAS

CERTIFICATION



Customer Care: 1800-258-7747

E-mail: Inquiry@MatrixComSec.com

www.MatrixVideoSurveillance.com

Made in India

SATATYA MIDR30FL28CWP

3MP IR Dome Camera with 2.8mm Lens



| TECHNICAL SPECIFICATIONS | |
|--------------------------|--|
| IMAGE SENSOR | |
| Resolution | 3 MP (2048 x 1536) |
| Sensor Type and Size | 1/2.8" SONY - CMOS 3MP Active Pixel Progressive Scan, Back Illuminated Image sensor (EXMOR Technology - STARVIS Series) |
| LENS | |
| Minimum Illumination | Colour - 0.01 Lux @ F1.2 (AGC ON) Monochrome - 0 Lux |
| Focal Length | 2.8mm |
| Focus Range | 0.3m to infinity |
| Field of View (FOV) | HFOV - 101° VFOV - 75° DFOV - 127° |
| Lens Mount | M12 |
| Focus | Fixed focus |
| Aperture (F#) | F 1.2 |
| Iris Type | Fixed |
| IR Range | 30m |
| IR Led Wavelength | 850nm |
| IR Switching | Auto/ Manual |
| AUDIO INTERFACE | |
| Audio IN | 1 |
| Audio OUT | 1 |
| Two-way Audio | Supported |
| Audio Compression | G.726 and G.711 |
| HARDWARE SPECIFICATIONS | |
| SD Card | Up to 512GB |
| Camera Adjustment Angle | Pan: 0° to 360° Tilt: 0° to 75° Zoom: 0° to 360° |
| IMAGE AND VIDEO | |
| No of Stream Profiles | 4 |
| Stream Profiles | Profile 1: 2048X1536 @30fps (H.264/H.265) Profile 2: D1 @30fps (H.265/H.264) Profile 3: 2048x1536@5fps (MJPEG) Profile 4: 720p @30fps (H.265/H.264/MJPEG) |
| Available Resolutions | 2048 x 1536, 1920 x 1080, 720p, D1, 2CIF, CIF, QCIF |
| Max Resolution | 2048 x 1536 |

SATATYA MIDR30FL28CWP

3MP IR Dome Camera with 2.8mm Lens



| | |
|-----------------------------|---|
| Bitrate | 128 kbps-8Mbps |
| Bitrate Type | CBR, VBR |
| Video Compression | H.265, H.264, MJPEG |
| Frame Rate | 1-30fps |
| Shutter Speed | 1/25-1/17000 |
| Adaptive Streaming | Yes |
| ONVIF Profiles | Both S and G |
| Edge Recording | Yes |
| Alarm Recording | Pre and Post |
| Motion Recording | Yes |
| Video Parameters | Snapshot, Region of Interest (ROI), BLC, Day/Night Settings |
| Privacy Masks | 3 |
| WDR | True WDR (120dB) |
| SNR | 73db |
| Image Enhancement | Saturation/ Contrast/ Sharpness/Brightness/Auto Exposure |
| DNR | 2D &3D |
| Video Analytics | Motion/No Motion Detection, Tamper Detection, Trip/No Trip Detection, Object Intrusion/Zone Intrusion, Audio Exception, IP Conflict, Network Disconnect, Storage Full, Time Triggered |
| EVENTS AND ACTIONS | |
| Upload Image | SD, NAS, FTP |
| Upload Clip | SD, NAS, FTP |
| Notifications | E-mail, SMS, TCP |
| PROTOCOLS SUPPORTED | |
| Supported protocols | TCP/IP, HTTP, DHCP, DNS, DDNS, RTP, RTCP, RTSP, PPPOE, SMTP, NTP, HTTPS, TLS/SSL, FTP, ICMP, IGMP v2 & v3 |
| Web Viewer | Supported in IE 8.0-11.0, Firefox 15.0-47.0, Chrome 20.0-54.0 |
| Plugins | IE: Matrix ActiveX Chrome: VLC plugin (2.0.4) and Quicktime (7.7.5) Mozilla: VLC Plugin (2.0.4) and Quicktime (7.7.5) |
| OPERATING PARAMETERS | |
| Power Supply | 12V (DC); 802.3af (PoE) |
| Power Consumption | <5.5W |
| Operating Humidity | Less than 90% RH (non-condensing) |
| Operating Temperature | 0°C to 50°C |
| Storage Temperature | -20°C to 50°C |
| PHYSICAL PARAMETERS | |
| Communication interface | 10Base-T/100BaseTX Ethernet (RJ-45) |
| Weight | 450gm |

SATATYA MIDR30FL28CWP

3MP IR Dome Camera with 2.8mm Lens



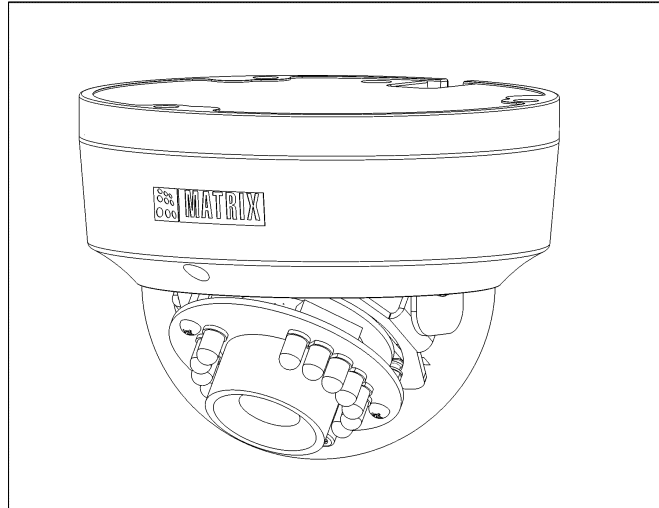
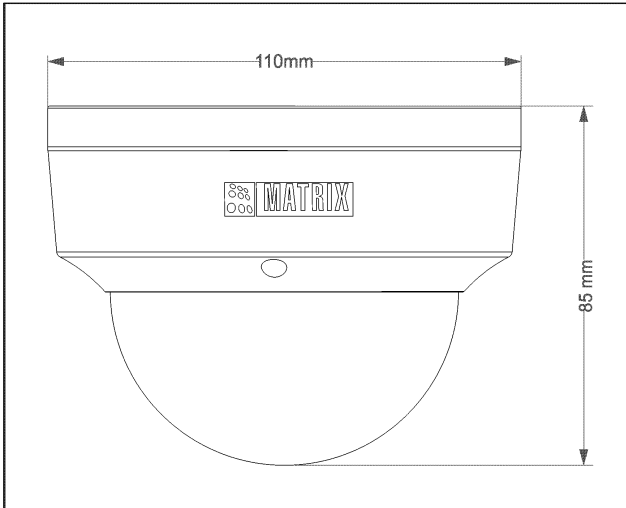
| | |
|----------------|---|
| Colour | Pantone 7527C |
| Dimensions | 110mm x 85mm (Length x Width) |
| Storage | NAS, SD Card |
| Certifications | BIS, CE, IP66, FCC Part-15 Class-A, ONVIF S & G, IK10 |

SATATYA MIDR30FL28CWP

3MP IR Dome Camera with 2.8mm Lens



DIMENSIONS (in mm)



ABOUT MATRIX

Established in 1991, Matrix is a leader in security and telecom solutions for modern businesses and enterprises. Matrix, an innovative, technology driven and customer focused organization, is committed to keep pace with the revolutions in security and telecom industries. With more than 40% of its human resources dedicated to the development of new products, Matrix has launched cutting-edge products such as Unified Communications, IP-PBX, Universal Gateways, Convergence, VOIP Gateways, GSM Gateways, IP Video Surveillance, Access Control and Time-Attendance. These solutions are feature-rich, reliable and conform to the international standards. Having global footprints in Europe, North America, South America, Africa and Asia through an extensive network of more than 1000 system integrators, Matrix ensures that the products serve the needs of its customers faster and longer. Matrix has gained trust and admiration of customers representing the entire spectrum of industries. Matrix has won many national and international awards for its innovative products.

* Specifications are subject to change without prior notice.

Note: IK10 certificate shall be available from March'20.